

PLEASE CHECK WWW.MOLEX.COM FOR LATEST PART INFORMATION

Part Number: [1301280101](#)
Status: **Active**
Overview: [Push-Button Pendant Products](#)
Description: Super-Safeway Switch Replacement, Two Speed Momentary

Documents:

[Brochure \(PDF\)](#) [RoHS Certificate of Compliance \(PDF\)](#)

General

Product Family	Push Buttons / Testers
Series	130128
Accessory / Replacement Type	Two Speed-Momentary Switch
Enclosure Rating	N/A
Overview	Push-Button Pendant Products
Product Name	Super-Safeway
Taxonomy	Push Button Products
Type	Replacement Part
UPC	78678875424

Physical

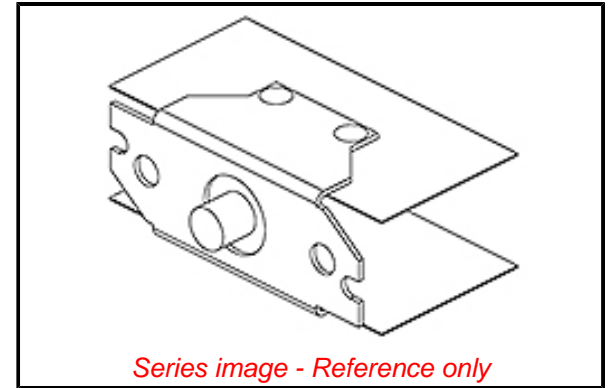
Cord Diameter	N/A
Cord Grip Body Size	N/A
Emergency Stop	No
Material - Body	N/A
Number of Speeds	Two
Packaging Type	Carton

Electrical

Voltage - Maximum	250V
-------------------	------

Material Info

Engineering Number	4020-2
--------------------	--------



EU ELV

Not Reviewed

EU RoHS

Not Reviewed

REACH SVHC

Not Reviewed

Halogen-Free

Status

Not Reviewed

For more information, please visit [Contact US](#)

China ROHS

Not Reviewed

ELV

Not Reviewed

RoHS Phthalates

Not Reviewed

Search Parts in this Series

[130128 Series](#)